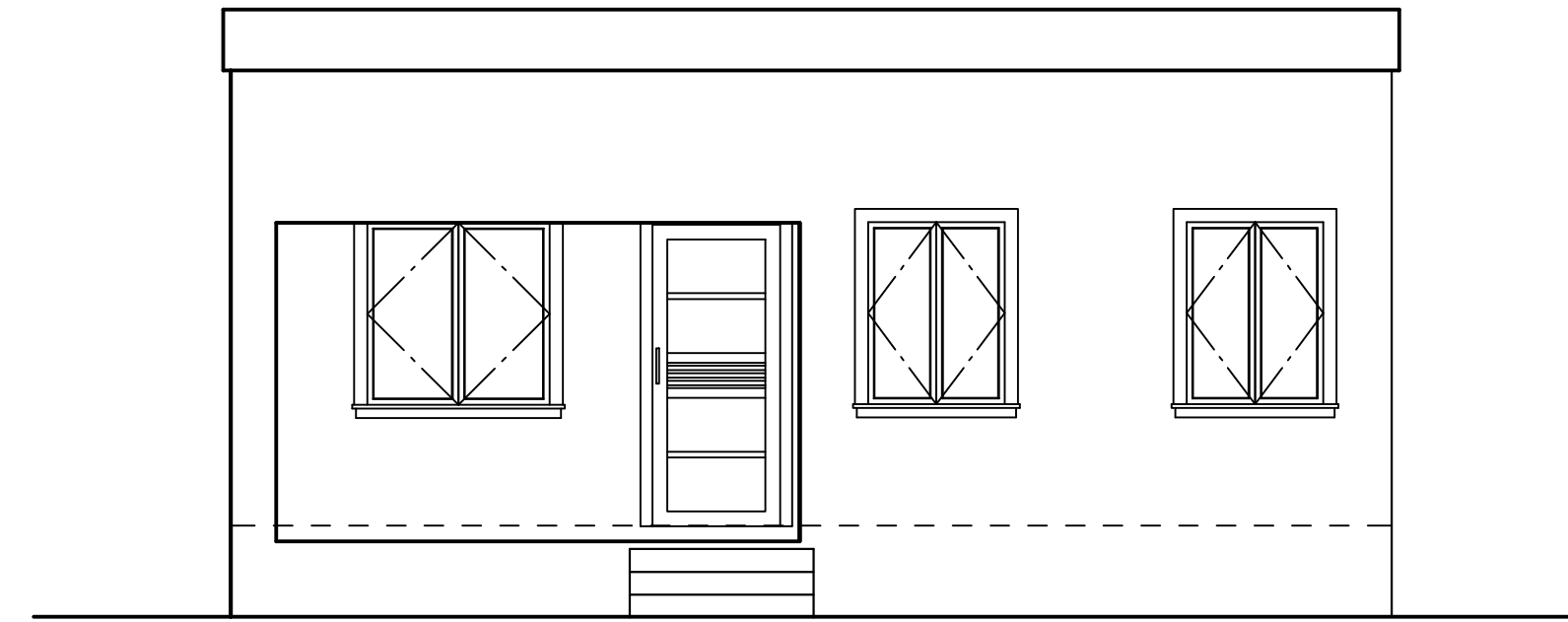
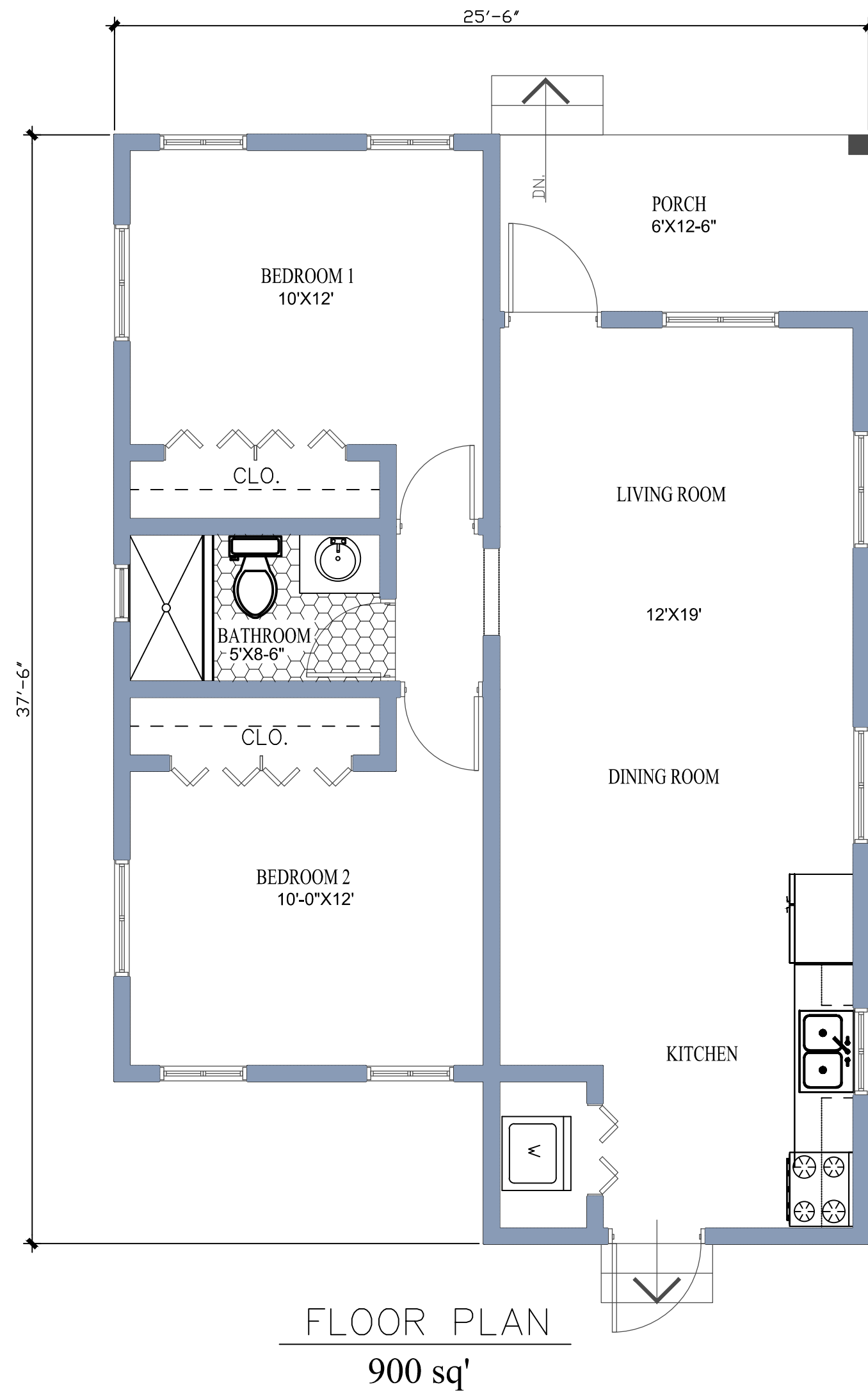
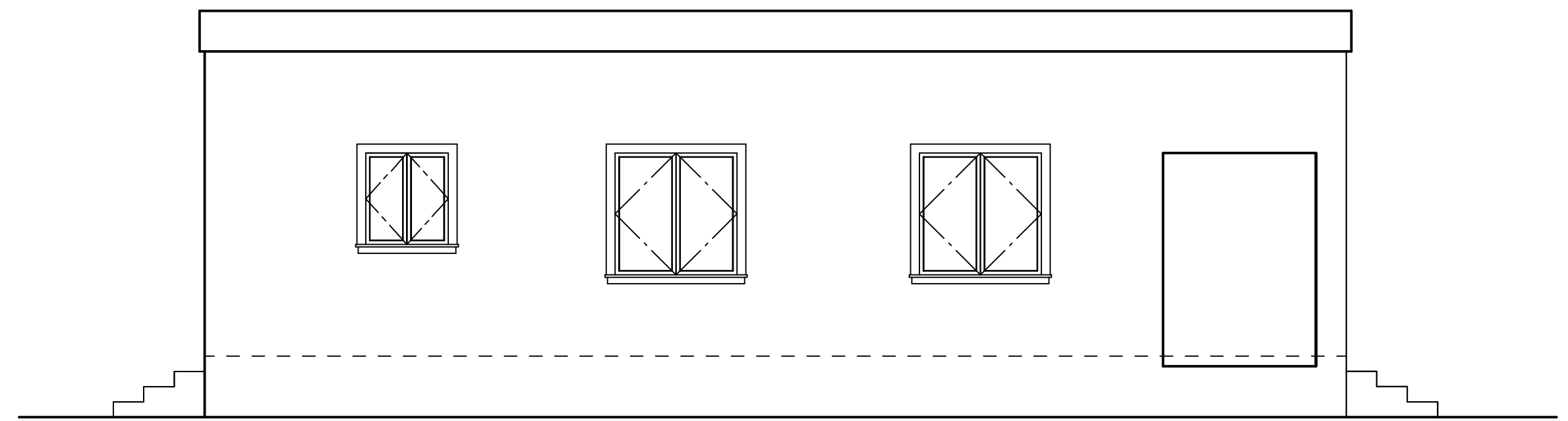




DESIGN TYPE 6



FRONT ELEVATION



LEFT SIDE ELEVATION

FLOOR PLAN

- * Overall House Size—900sq.ft \$202,500 (Land Not Included)
- * Full Concrete Structure
- * Walk Way
- * Driveway
- * 3,500 GAL.Cistern Minimum
- * Provision for Hot and Cold water
- * Pump Room W/Out Amenities
- * Ceiling Fan
- * Wash Closet